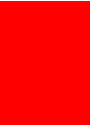
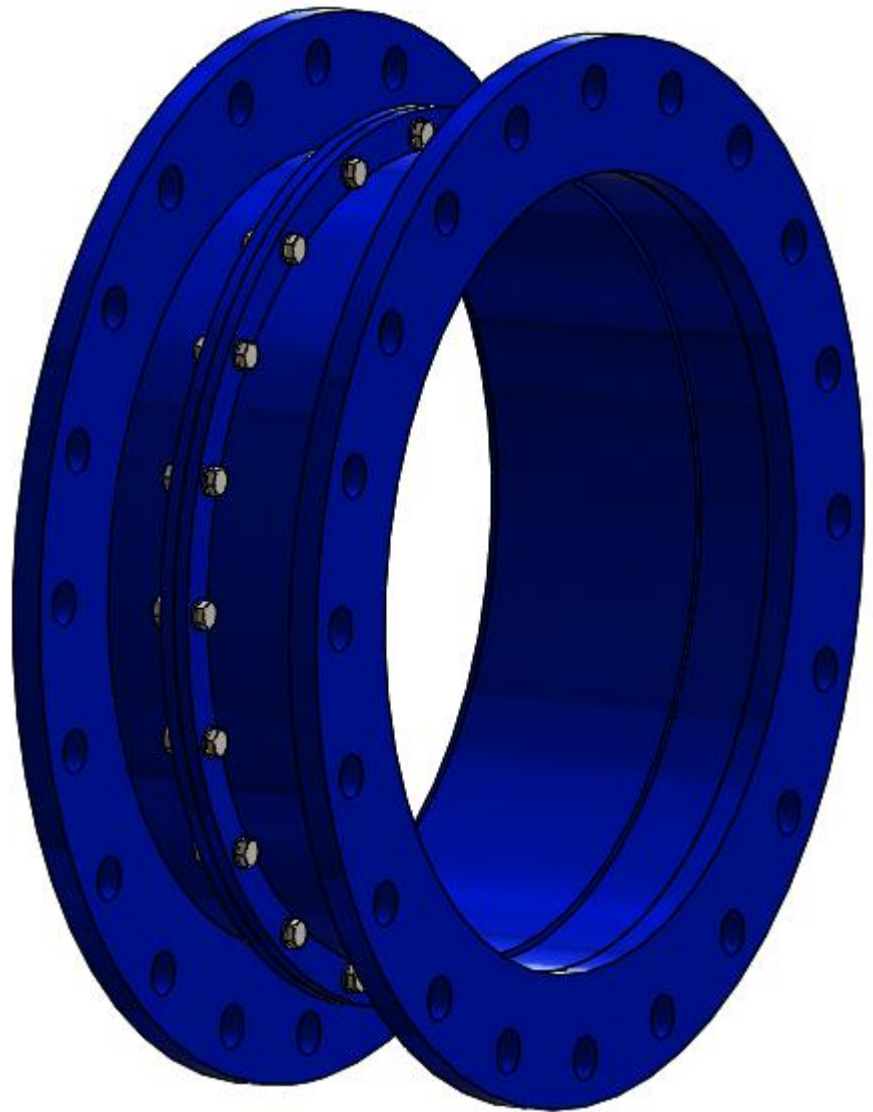




Dismantling Joints



Description

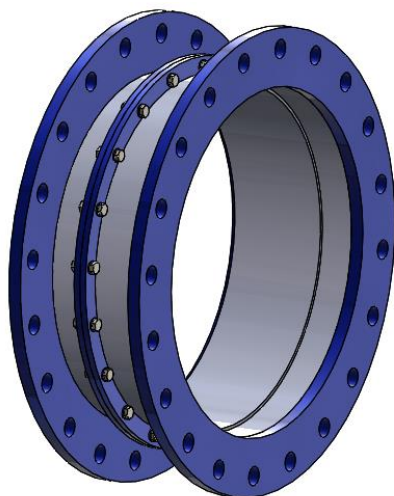
The tube-tube dismantling joint is a joint of two flanged tubes, it can change the length.

The dismantling joint is a temporary solution to replace valves or other devices connected to the pipe, due to maintenance or reparation, doing possible fluid transportation. The dismantling joints help to assembly and disassembly the valves and pumps.

The dismantling joints absorb small axial and angular movements, they can compensate small movements and deviations of the tubes.

The principal applications are water supply systems, fire-fighting network, water treatment and pump systems.

There are other types of dismantling joints denoted as bellows type, this type has not joint between the tubes as type tube-tube, they obtain the movement due to the bellows.



Type: Tube-Tube



Type: Bellows

Characteristics

- The dismantling joint is easy and quick.
- It is not needed qualified manpower.
- Small space is needed.
- There are easy to disassembly.
- Available spare parts for maintenance.
- They absorb axial, lateral and angular movements.
- High security and reliable product.



Design

Flanges	DIN/EN/ANSI/AWWA
Pressure	Up to 40 bar
Nominal diameter	Up to 3000mm
Temperature	0-90°C
Fluid	Water

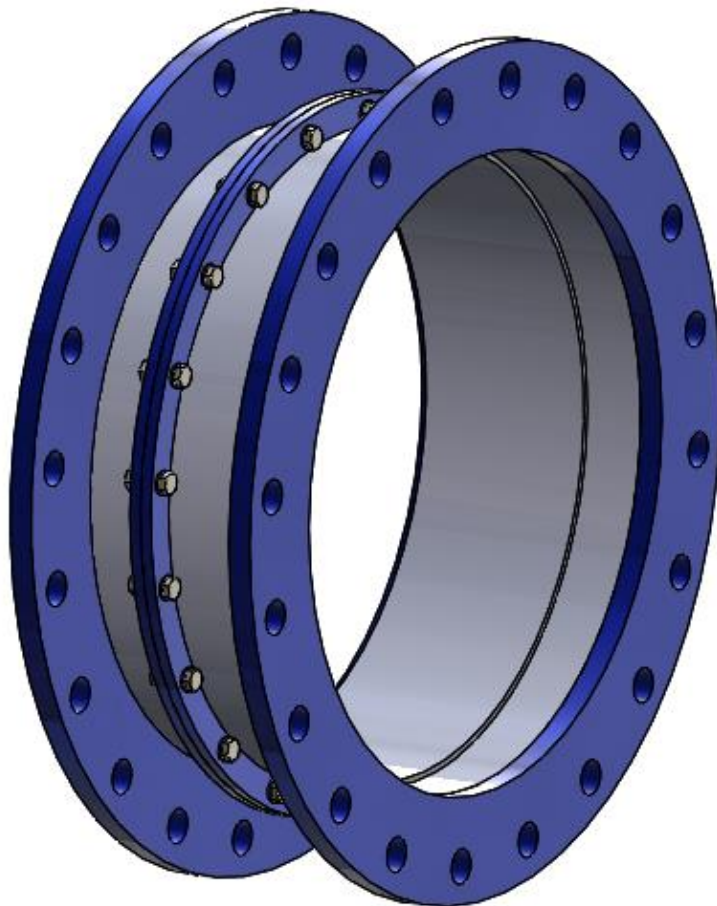
Materials

Flanges	Carbon steel / stainless steel
Tube	Carbon steel / stainless steel
O-ring	EPDM/NBR
Bolts	Zinc steel 8.8
Coating	Epoxy blue painting

Dismantling joint type tube-tube (CDTT)

The dismantling joint CDTT has two parts, female part, consist of one flange and one tube, this is the part that moves. The male part, consist of one flange, one tube and intermediate flange.

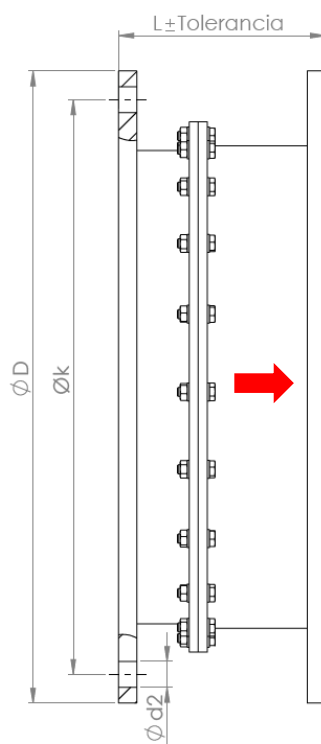
The intermediate flanges press the gasket to create the sealing.



Dimensions

DIN PN-10 CDTT

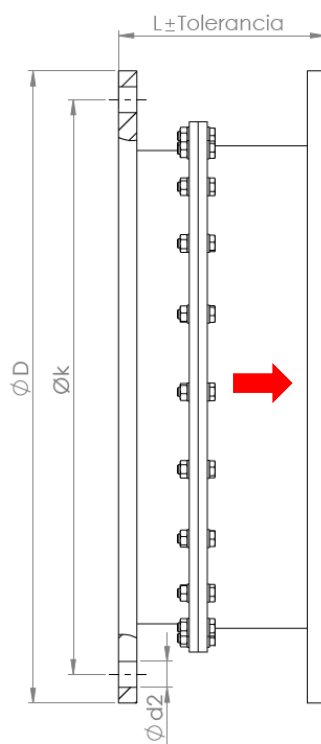
DN	L	TOLERANCE	D	k	d2	Drills Nº
50	180	±30	165	125	18	4
65	180	±30	185	145	18	4
80	180	±30	200	160	18	4
100	180	±30	220	180	18	8
125	180	±30	250	210	18	8
150	180	±30	285	240	23	8
200	200	±40	340	295	23	8
250	200	±40	395	350	23	12
300	200	±40	445	400	23	12
350	240	±40	505	460	23	16
400	240	±40	656	515	27	16
450	240	±40	615	565	27	20
500	240	±40	670	620	27	20
600	300	±50	780	725	30	20
700	300	±50	895	840	30	24
750	300	±50	965	900	33	24
800	300	±50	1015	950	33	24
900	300	±50	1115	1050	33	28
1000	300	±50	1230	1160	36	28
1200	320	±50	1455	1380	39	32
1400	340	±50	1675	1590	42	36
1500	340	±50	1785	1700	42	36



Dimensions

DIN PN-16 CDTT

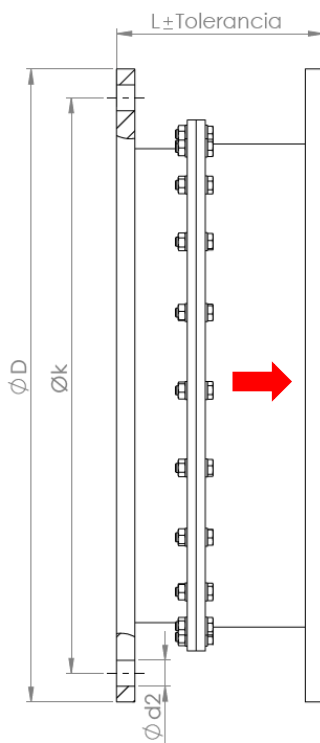
DN	L	TOLERANCE	D	k	d2	Drills N°
50	180	±30	165	125	18	4
65	180	±30	185	145	18	4
80	180	±30	200	160	18	8
100	180	±30	220	180	18	8
125	180	±30	250	210	18	8
150	180	±30	285	240	23	8
200	200	±40	340	295	23	12
250	200	±40	405	355	27	12
300	200	±40	460	410	27	12
350	240	±40	520	470	27	16
400	240	±40	580	525	30	16
450	240	±40	640	585	30	20
500	240	±40	715	650	33	20
600	300	±50	840	770	36	20
700	300	±50	910	840	36	24
750	300	±50	970	900	36	24
800	300	±50	1025	950	39	24
900	300	±50	1125	1050	39	28
1000	300	±50	1255	1170	42	28
1200	320	±50	1485	1390	48	32
1400	340	±50	1685	1590	48	36
1500	340	±50	1820	1710	56	36



Dimensions

DIN PN-25 CDTT

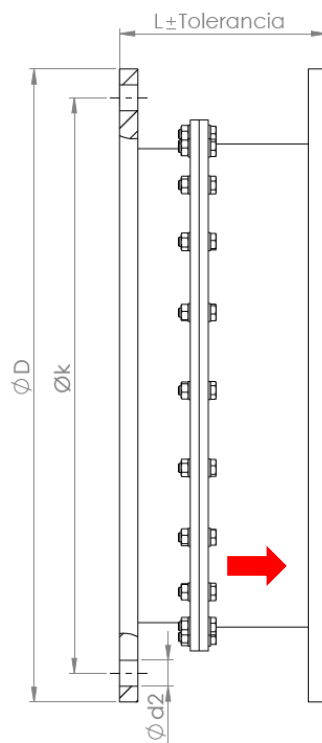
DN	L	TOLERANCE	D	k	d2	Drills N°
50	180	±30	165	125	18	4
65	180	±30	185	145	18	8
80	180	±30	200	160	18	8
100	180	±30	235	180	22	8
125	180	±30	270	210	26	8
150	180	±30	300	240	26	8
200	200	±40	360	295	26	12
250	200	±40	425	355	30	12
300	200	±40	485	410	30	16
350	240	±40	555	490	33	16
400	240	±40	620	550	36	16
450	240	±40	670	600	36	16
500	240	±40	730	660	36	20
600	300	±50	845	770	39	20
700	300	±50	960	875	42	24
800	300	±50	1085	990	48	24
900	300	±50	1185	1090	48	28
1000	300	±50	1320	1210	56	28



Dimensions

ASME 150 LBS CDTT

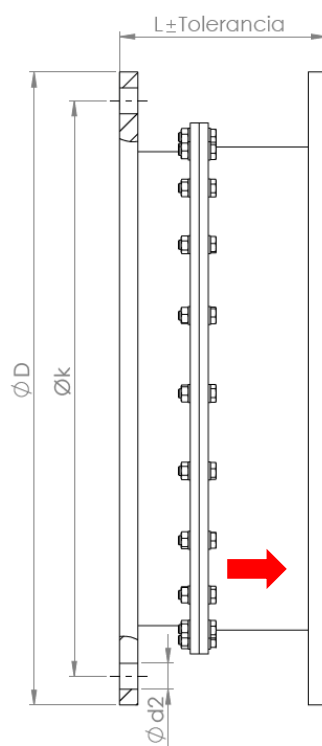
DN	L	TOLERANCE	D	k	d2	Drills N°
50	180	±30	152,4	120,6	19,05	4
65	180	±30	177,8	139,7	19,05	4
80	180	±30	190,5	152,4	19,05	4
100	180	±30	228,6	190,5	19,05	8
125	180	±30	254	215,9	22,2	8
150	180	±30	279,4	241,3	22,2	8
200	200	±40	342,9	298,4	22,2	8
250	200	±40	406,4	361,9	25,4	12
300	200	±40	482,6	431,8	25,4	12
350	240	±40	533,4	476,2	28,6	12
400	240	±40	596,9	539,7	28,6	16
450	240	±40	635	577,8	31,7	16
500	240	±40	698,5	635	31,7	20
600	300	±50	812,8	749,3	34,9	20



Dimensions

ASME 300 LBS CDTT

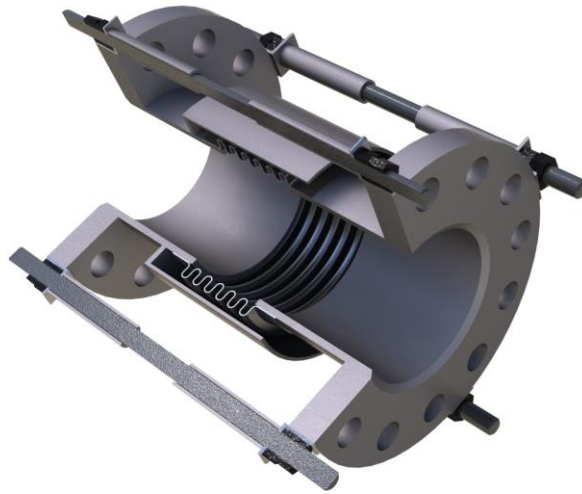
DN	L	TOLERANCE	D	k	d2	Drills N°
50	180	±30	165,1	127	19,05	8
65	180	±30	190,5	149,2	22,2	8
80	180	±30	209,55	168,3	22,2	8
100	180	±30	254	200	22,2	8
125	180	±30	279,4	234,95	22,2	8
150	180	±30	317,5	269,9	22,2	12
200	200	±40	381	330,2	25,4	12
250	200	±40	444,5	387,3	28,6	16
300	200	±40	520,7	450,8	31,7	16
350	240	±40	584,2	514,3	31,7	20
400	240	±40	647,7	571,5	34,9	20
450	240	±40	711,2	628,6	34,9	24
500	240	±40	774,7	685,8	34,9	24
600	300	±50	812,8	914,4	41,3	24



Dismantling joint type bellows (CDF)

The dismantling joint type bellows (CDF), consist of one bellows, two tubes and two flanges, all of them welded, it also has an external sleeve that protects the bellows, to regulate the length has the tie rods.

This type of dismantling joints has not got a gasket what it is safer.



Dimensions

DIN PN-10 CDF

DN	L	TOLERANCE	D	k	d2	Drills Nº
50	180	±15	165	125	18	4
65	180	±15	185	145	18	4
80	180	±15	200	160	18	4
100	180	±20	220	180	18	8
125	180	±20	250	210	18	8
150	180	±25	285	240	23	8
200	200	±25	340	295	23	8
250	200	±25	395	350	23	12
300	200	±35	445	400	23	12
350	240	±35	505	460	23	16
400	240	±25	656	515	27	16
450	240	±30	615	565	27	20
500	240	±35	670	620	27	20
600	300	±30	780	725	30	20
700	300	±30	895	840	30	24
750	300	±35	965	900	33	24
800	300	±35	1015	950	33	24
900	300	±35	1115	1050	33	28
1000	300	±35	1230	1160	36	28
1200	320	±40	1455	1380	39	32
1400	340	±40	1675	1590	42	36
1500	340	±40	1785	1700	42	36

Dimensions

DIN PN-16 CDF

DN	L	TOLERANCE	D	k	d2	Drills N°
50	180	±15	165	125	18	4
65	180	±15	185	145	18	4
80	180	±15	200	160	18	8
100	180	±20	220	180	18	8
125	180	±20	250	210	18	8
150	180	±25	285	240	23	8
200	200	±25	340	295	23	12
250	200	±25	405	355	27	12
300	200	±35	460	410	27	12
350	240	±35	520	470	27	16
400	240	±25	580	525	30	16
450	240	±30	640	585	30	20
500	240	±35	715	650	33	20
600	300	±30	840	770	36	20
700	300	±30	910	840	36	24
750	300	±35	970	900	36	24
800	300	±35	1025	950	39	24
900	300	±35	1125	1050	39	28
1000	300	±35	1255	1170	42	28
1200	320	±40	1485	1390	48	32
1400	340	±40	1685	1590	48	36
1500	340	±40	1820	1710	56	36

DIN PN-25 CDF

DN	L	TOLERANCE	D	k	d2	Drills N°
50	180	±15	165	125	18	4
65	180	±15	185	145	18	8
80	180	±15	200	160	18	8
100	180	±20	235	180	22	8
125	180	±20	270	210	26	8
150	180	±25	300	240	26	8
200	200	±25	360	295	26	12
250	200	±25	425	355	30	12
300	200	±35	485	410	30	16
350	240	±35	555	490	33	16
400	240	±25	620	550	36	16
450	240	±30	670	600	36	16
500	240	±35	730	660	36	20
600	300	±30	845	770	39	20
700	300	±30	960	875	42	24
800	300	±35	1085	990	48	24
900	300	±35	1185	1090	48	28
1000	300	±35	1320	1210	56	28

Dimensions

ASME 150 LBS CDF

DN	L	TOLERANCE	D	k	d2	Drills Nº
50	180	±15	152,4	120,6	19,05	4
65	180	±15	177,8	139,7	19,05	4
80	180	±15	190,5	152,4	19,05	4
100	180	±20	228,6	190,5	19,05	8
125	180	±20	254	215,9	22,2	8
150	180	±25	279,4	241,3	22,2	8
200	200	±25	342,9	298,4	22,2	8
250	200	±25	406,4	361,9	25,4	12
300	200	±35	482,6	431,8	25,4	12
350	240	±35	533,4	476,2	28,6	12
400	240	±25	596,9	539,7	28,6	16
450	240	±30	635	577,8	31,7	16
500	240	±35	698,5	635	31,7	20
600	300	±30	812,8	749,3	34,9	20

ASME 300 LBS CDF

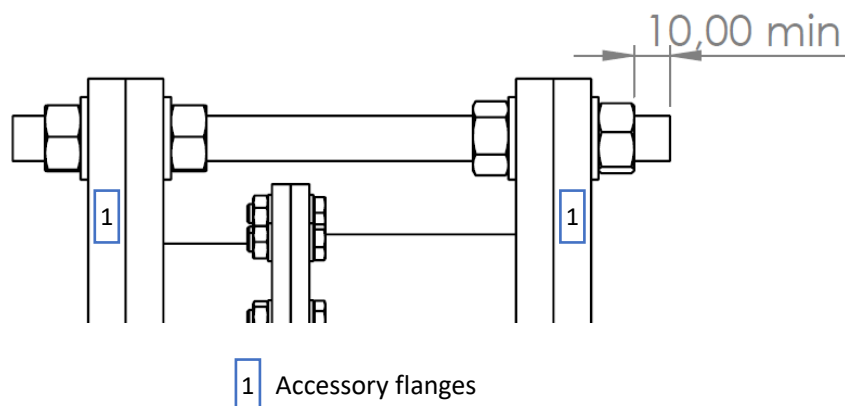
DN	L	TOLERANCE	D	k	d2	Drills Nº
50	180	±15	165,1	127	19,05	8
65	180	±15	190,5	149,2	22,2	8
80	180	±15	209,55	168,3	22,2	8
100	180	±20	254	200	22,2	8
125	180	±20	279,4	234,95	22,2	8
150	180	±25	317,5	269,9	22,2	12
200	200	±25	381	330,2	25,4	12
250	200	±25	444,5	387,3	28,6	16
300	200	±35	520,7	450,8	31,7	16
350	240	±35	584,2	514,3	31,7	20
400	240	±25	647,7	571,5	34,9	20
450	240	±30	711,2	628,6	34,9	24
500	240	±35	774,7	685,8	34,9	24
600	300	±30	812,8	914,4	41,3	24

Installation type CDTT

Be careful with the flow direction, install according to the arrow of the dismantling joint.

Steps:

- 1) Set the dismantling joint flanges to the accessory.
- 2) Install a maximum of 50% of threaded rods, take a look at the picture below.
- 3) To choose the correct bolts/rods check the flanges standard. The distance between the nuts and the end of the rods must be minimum 10mm.
- 4) Take into account the nominal length of the dismantling joint in the installation, do not exceed the tolerance.
- 5) Set the flanges and check the tightness, in case of any leakage set again the flanges.
- 6) Tighten the bolts in a cross, first the 20% and finally the 100%.

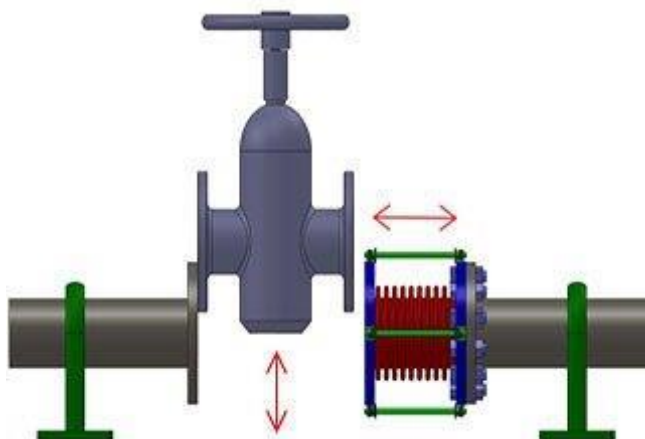


Instalation type CDF

Be careful with the flow direction, install according to the arrow of the dismantling joint.

Steps:

- 1) Set the dismantling joint flanges to the accessory.
- 2) Install a maximum of 50% of threaded rods, take a look at the picture below.
- 3) To choose the correct bolts/rods check the flanges standard. The distance between the nuts and the end of the rods must be minimum 10mm.
- 4) Take into account the nominal length of the dismantling joint in the installation, do not exceed the tolerance.
- 5) Tighten the bolts in a croos, first the 20% and finally the 100%.



Maintenance

- 1) Annually: check the gaskets, lubricate or replace depending on the status.
- 2) Every 2 years: check the painting, in case of any damage polish and paint.
- 3) Every 10 years: Replace the gaskets.





B° San Martín – Pol. Ind. Torrelarragoiti, 5
48170 Zamudio (Vizcaya) Spain

Tel. +34 94 452 24 99

www.codinor.com

E-mai: codinor@codinor.com